

# OCULAR

## Ocular IQ Solar



IOCAW13-7S-SOLAR/ IOCAW13-7T-SOLAR  
IOCAW13-22S- SOLAR/ IOCAW13-22T-SOLAR

Direct CT Solar Connection

Direct Load Control

Ocular Smart App

Indoor and Outdoor Rated

Stay in the know with a LCD screen

Fast, sustainable and compatible with every EV in Australia. Meet the Ocular IQ Solar. The Ocular IQ Solar is an intelligent solution to utilise your home solar system. Use all the power you produce instead of exporting to the grid.

## Main Features

### Unique Design

2.8" LCD display for excellent clarity and LED indicator

### Flexible output current

Output current adjustment via back office

### Multiple Charging Standard Compliant

Type-1 connector, Type-2 connector or Type-2 socket

### Ocular Home App

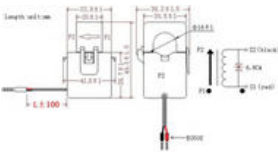
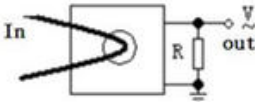
Comes with a free home OCPP app to fully manage your solar charger

### 2 different Models

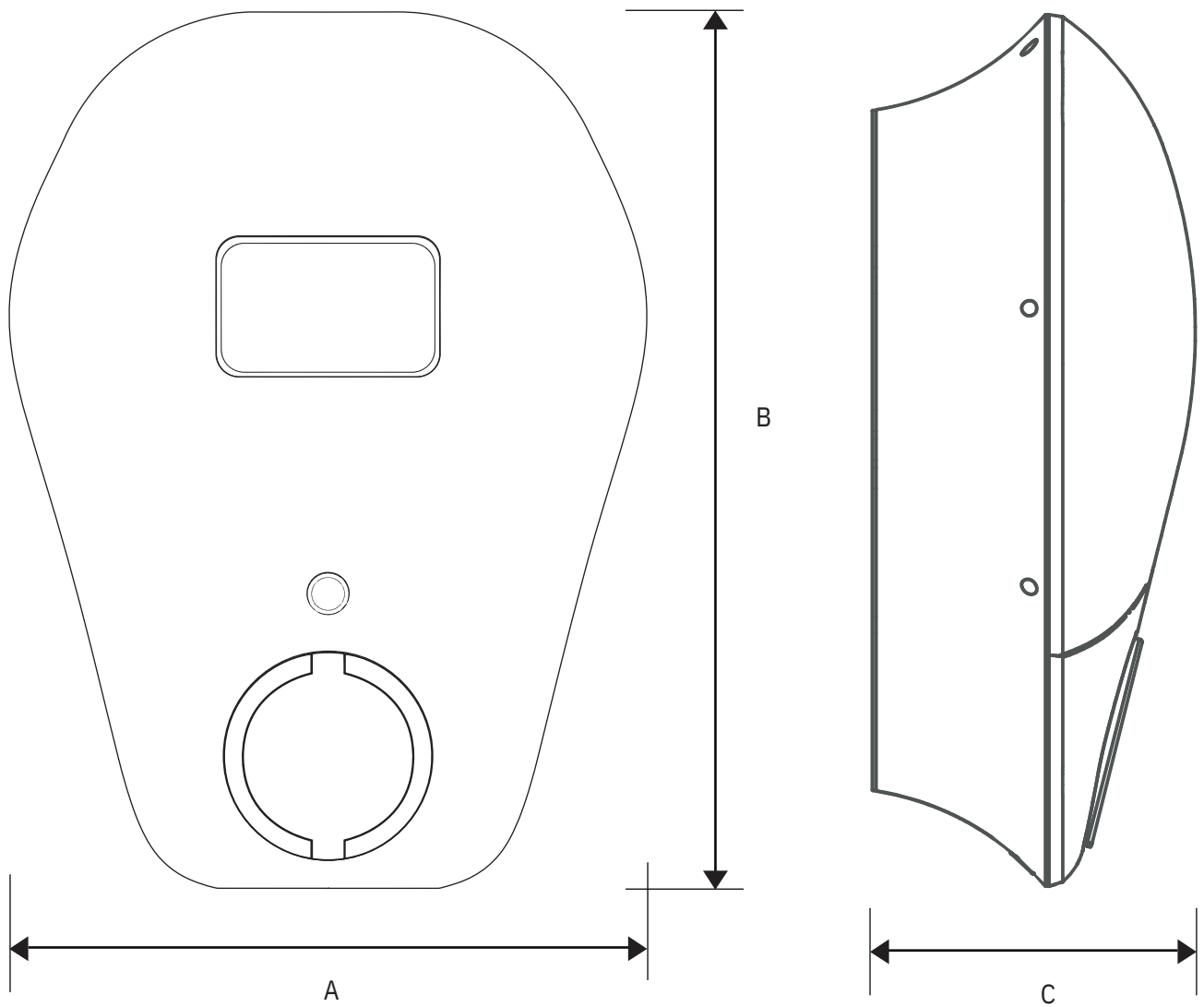
1-phase 7kW & 3-Phase 22kW available

# Specification

Model	IOCAW13-7S / IOCAW13-7T   IOCAW13-22S / IOCAW13-22T	
Input Voltage & Current	230V±20%, 32A per phase	
Frequency (Hz)	50/60Hz	
Charging Connector	Type-2 socket/ Tethered cable	
Power Output	7.2kW (1- Phase)	22kW (3- Phase)
Output Voltage	230V ± 20%	400V ± 20%
Output Current	32A MAX per phase	
Display	2.8" LCD screen	
User Authentication	RFID Card, Mobile App, Remote Access	
Operating Temperature	-30°C to +55°C in operation	
Storage Temperature	-40°C to +75°C in storage	
Working Humidity	95% relative humidity, non-condensing	
Internal RCD	30mA AC & 6mA DC	
IP Performance	IP55	
Meter	MID Meter	
Internet connection	Ethernet + Wi-Fi	
Mounting	Wall-Mount/ Pole-Mount	
Charging Cable Length	Tethered model only - 5m	
Dimension (H x W x D, mm)	380 x 288 x 160 mm	
Net Weight	(1- Phase) 5.3 kg (socket type) 7.8 kg (tethered)	(3- Phase) 5.4 kg (socket type) 8.1 kg (tethered)
Recommended circuit breaker	40A single phase type A RCBO	40A three phase type A RCBO
Recommended cable size (50m run)	10mm <sup>2</sup> 2C+E	10mm <sup>2</sup> 4C+E
Certificate	CE, IEC /EN 61851-1, IEC/EN 61851-23, IEC/EN 61851-21-2, RCM	
Warranty	2 years	
Electrical Protection	Over current, Short circuit, Over voltage, Under voltage, Ground fault, Lightning Surge, Over temperature	

Description	Current Transformer		
Rated Current Ratio	<b>100A:50mA</b>		
TYPE	<b>IOCCT100</b>		
<b>Electrical Specifications</b>		<div style="text-align: center;"> <b>Mechanical Dimensions in mm</b> </div>  <p style="text-align: center;"><b>Same polarity: *--*</b></p> <p style="text-align: center;"><b>Direction for use:</b></p> 	
Rated Primary Current (A)	100A		
Secondary Current (mA)	50mA		
Maximum Current I <sub>max</sub> (A)	120A		
Rate Transformation Ratio	2000:1		
Power-Frequency Withstand Voltage	4000 V <sub>rms</sub>		
Current Error	±0.5%		
Rated Phase Displacement	≤80'		
Rated Frequency	50/60Hz		
Rated Short-Time Thermal Current	400A (≤1s)		
Rated Resistive Burden (Ω)	≤ 20Ω		
Insulation Resistance (MΩ)	> 500MΩ		
<b>Mechanical Specifications</b>			
Encapsulant	Epoxy Resin		
Weight (g)	110g		
Tolerance (mm)	±1.5		
Storage Temperature (°C)	-40°C<T<+85°C		
Working Temperature (°C)	-25°C<T<+75°C		
Working Humidity	0-90% (no condensation)		
Enclosure Flame Retardant Grade	UL94 V-0		

# OCULAR



Size (mm)	A	B	C
288 x 380 x 160	288	380	160

# OCULAR

